

ZULJANA'S INDUSTRIAL TOUCHSCREEN PCS ZL185PC-C

INDUSTRIAL TOUCH PCS & RUGGED COMPUTERS SOLUTIONS

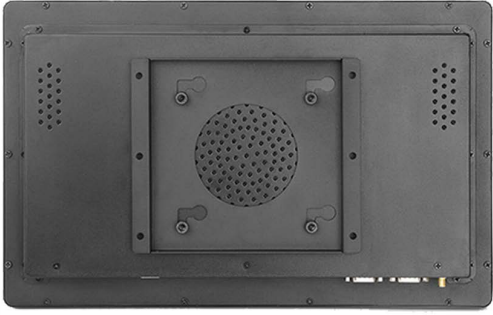
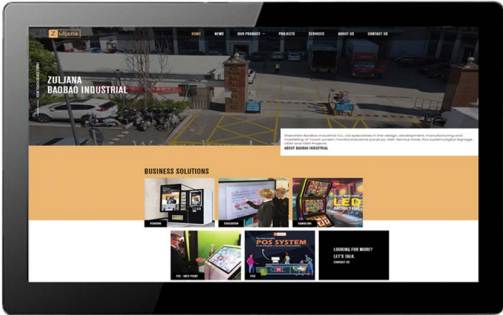
Zuljana industrial Computers are made to perform in severe production settings at the highest capacity possible. Made with miraculous resilience and performance, our industrial touch pcs computers can be found in numerous form factors, screen sizes, and configurations.

BaoBao can custom industrial pc for almost any application and worksite problem. We offer the current CPUs and internal hardware to ensure our clients receive best-in-class efficiency and a solution.



Industrial Touch PC Features

- ▶ Intel® Core i3-3217U
- ▶ 64GB Zuljana Industrial SSD
- ▶ 4GB DDR3 RAM
- ▶ Supports Win7/8/10, Linux (32Bit, 64Bit)
- ▶ Extensive industrial and consumer interfaces
- ▶ 10-Finger-Multi Touch Capacitive Touch Panel
- ▶ Patented IP65 front
- ▶ Audio amplifier with speakers
- ▶ 1 years guarantee



Ordering information

18.5" Touch Panel PC with Intel® Core i3-3217U and Ubuntu 18.04 Embedded

IP Rating

IP65 Front / IP40 Back

LCD Panel

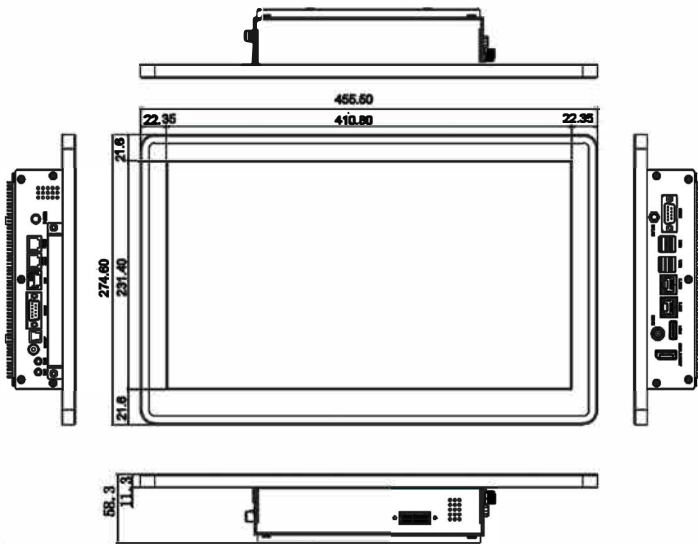
| | |
|--|-------------------|
| Screen Diagonal (Inch/cm) | 18.5/46.99 |
| Active Display Area(cm) | 41.08(H)×23.14(V) |
| Aspect Ratio | 16:9 |
| Physical Resolution | 1366×768 |
| Maximum showable resolution | 1920×1080 |
| Colours Displayed | 16.7M |
| Brightness (cd/m2) | 500 |
| Contrast | 1000:1 |
| Typical Reaction Time Tr/ Tf (ms) | 2/6 |
| Visual Angle Horizontal / vertical (°) | 170/170 |
| Backlight/Backlight Lifetime (hours) | LED/15,000 |

Touch Panel

| | |
|-----------------------|--|
| Touch Technology | Projected Capacitive 10-point Multitouch |
| Touch Panel Drivers | Windows; Linux; Mac; Android |
| Touch Life (Contacts) | Unlimited |
| Surface Hardness | 7H |
| Surface Treatment | Anti-glare (Optional) |

External Connectors

1 x 12V DC-In (screwable); 1x W-LAN antenna connector (RP-SMA male); 2x USB 3.0; 2x USB 2.0; 1 x HDMI; 1 x MIC-In & EAR-Out; 1x BT Antenna Connector; 1 x DP; 3 x COM port Full-PIN - RS232/485; 5V/12V; 2 x 10/100/1000Mbit RJ45 Ports



Product Name Model Number

18.5 Inch Industrial Panel PC
ZL185PC-C

PC System

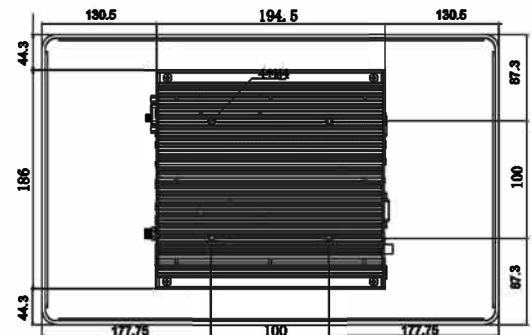
| | |
|----------------|--|
| CPU | Intel® Core i3-3217U |
| Chipset | Intel® NM70 express chipset |
| Graphic/GPU | Intel® Graphics 4000 |
| Audio | Realtek ALC662 6 channel high fidelity audio chip |
| Memory | 4GB DDR3L non-ECC |
| Storage | Zuljana Industrial 64GB SSD |
| Network | 2 x Realtek PCIe GB LAN 8111G; W-LAN |
| Driver Support | Win7/8/10; Linux; 32Bit/64Bit |
| Pre Installed | Linux Ubuntu |

Operation/Mechanical

| | |
|----------------------------|--------------------------|
| Operating Temperature (°C) | -10 ~ +60 |
| Humidity Range (RH) | 10% ~ 90% |
| Net Weight(Kg) | 4.8 |
| Gross Weight(Kg) | 5.8 incl. cartonnage |
| Housing Material | Aluminum front/back case |
| Housing(mm)L x W x H | 455.5 x 274.6 x 58.3 |
| Mounting | VESA 100 |

Power

| | |
|----------------------|---|
| Power Indicator | Green LED |
| Power Supply | 100-240V ACDC active switching; 12V DC-Out |
| Working Power (V) | 12 |
| Working Power (w) | 17 |
| Stand-By Consumption | <1 |



Learn more about Zuljana at baobao-industries.com

☎ +86 755 23775660

☎ +86 755 23779143

✉ sales@baobao-industries.com

🌐 <https://www.baobao-industries.com>

