

ZULJANA'S INDUSTRIAL TOUCHSCREEN PCS ZL156PC-C

INDUSTRIAL TOUCH PCS & RUGGED COMPUTERS SOLUTIONS

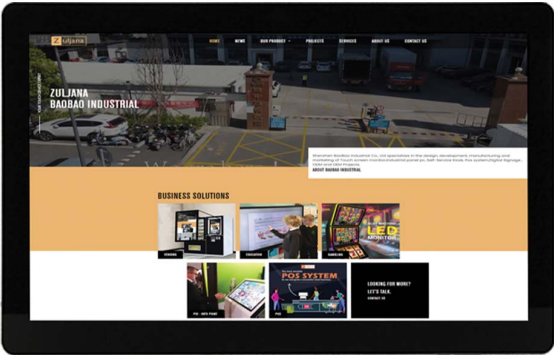
Zuljana industrial Computers are made to perform in severe production settings at the highest capacity possible. Made with miraculous resilience and performance, our industrial touch pcs computers can be found in numerous form factors, screen sizes, and configurations.

BaoBao can custom industrial pc for almost any application and worksite problem. We offer the current CPUs and internal hardware to ensure our clients receive best-in-class efficiency and a solution.



Industrial Touch PC Features

- ▶ Intel® Core i3-3217U
- ▶ 64GB Zuljana Industrial SSD
- ▶ 4GB DDR3 RAM
- ▶ Supports Win7/8/10, Linux (32Bit, 64Bit)
- ▶ Extensive industrial and consumer interfaces
- ▶ 10-Finger-Multi Touch Capacitive Touch Panel
- ▶ Patented IP65 front
- ▶ Audio amplifier with speakers
- ▶ 1 years guarantee



Ordering information

15.6" Touch Panel PC with Intel® Core i3-3217U and Ubuntu 18.04 Embedded

IP Rating

IP65 Front / IP40 Back

LCD Panel

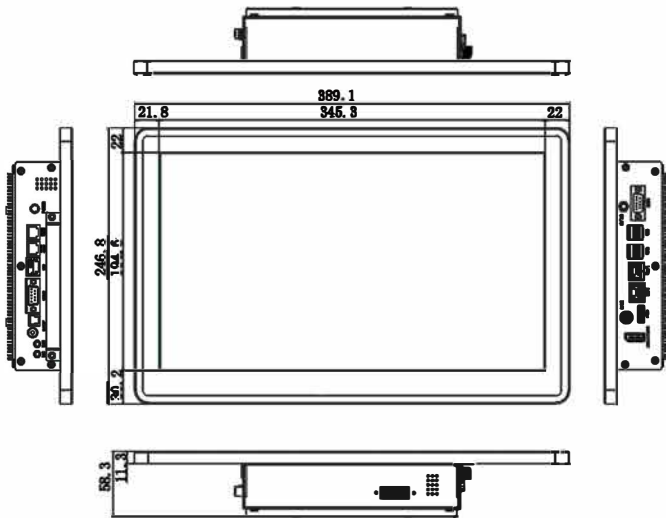
Screen Diagonal (Inch/cm)	15.6/39.6
Active Display Area(cm)	34.53(H)×19.46(V)
Aspect Ratio	16:9
Physical Resolution	1920×1080
Maximum showable resolution	1920×1080
Colours Displayed	16.7M
Brightness (cd/m2)	250
Contrast	800:1
Typical Reaction Time Tr/ Tf (ms)	15/15
Visual Angle Horizontal / vertical (°)	170/170
Backlight/Backlight Lifetime (hours)	LED/15,000

Touch Panel

Touch Technology	Projected Capacitive 10-point Multitouch
Touch Panel Drivers	Windows; Linux; Mac; Android
Touch Life (Contacts)	Unlimited
Surface Hardness	7H
Surface Treatment	Anti-glare (Optional)

External Connectors

1 x 12V DC-In (screwable); 1x W-LAN antenna connector (RP-SMA male); 2x USB 3.0; 2x USB 2.0; 1 x HDMI; 1 x MIC-In & EAR-Out; 1x BT Antenna Connector; 1 x DP; 3 x COM port Full-PIN - RS232/485; 5V/12V; 2 x 10/100/1000Mbit RJ45 Ports



Product Name Model Number

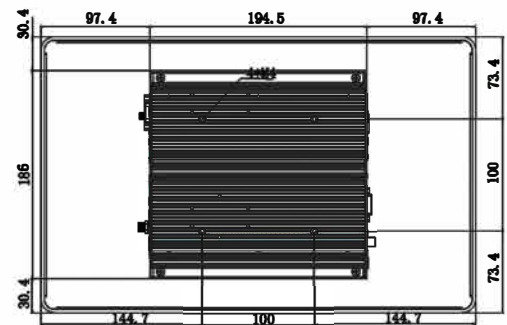
15.6 Inch Industrial Panel PC
ZL156PC-C

PC System

CPU	Intel® Core i3-3217U
Chipset	Intel® NM70 express chipset
Graphic/GPU	Intel® Graphics 4000
Audio	Realtek ALC662 6 channel high fidelity audio chip
Memory	4GB DDR3L non-ECC
Storage	Zuljana Industrial 64GB SSD
Network	2 x Realtek PCIe GB LAN 8111G; W-LAN
Driver Support	Win7/8/10; Linux; 32Bit/64Bit
Pre Installed	Linux Ubuntu

Operation/Mechanical

Operating Temperature (°C)	-10 ~ +65
Humidity Range (RH)	10% – 90%
Net Weight(Kg)	4.1
Gross Weight(Kg)	5.3 (incl. cartonnage)
Housing Material	Aluminum front/back case
Housing(mm)L x W x H	389.1 × 246.8 × 58.3
Mounting	VESA 100
Power Indicator	Green LED
Power Supply	100-240V ACDC active switching; 12V DC-Out
Working Power (V)	12
Working Power (w)	15
Stand-By Consumption	<1



Learn more about Zuljana at baobao-industries.com

- ☎ +86 755 23775660
- ☎ +86 755 23779143
- ✉ sales@baobao-industries.com
- 🌐 <https://www.baobao-industries.com>

