

ZULJANA'S INTERACTIVE DIGITAL SIGNAGE ZL101PC-A

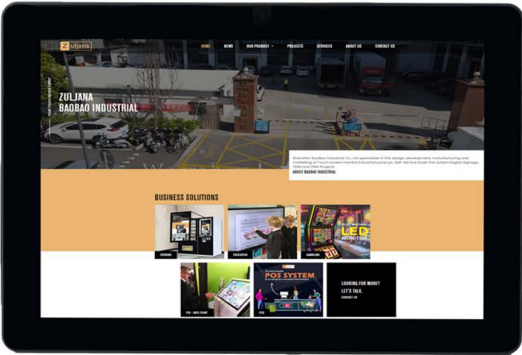
INTERACTIVE DIGITAL SIGNAGE FOR TOUCH AND GESTURE

Turn your boring Digital Signage– that everybody usually strolls past– into a genuinely interactive “Touch” experience for more significant customer interaction. Engage audiences with digital signage and empower administrators with remote content management. Our Interactive Digital Signage includes a broad selection of interactive signages from 7-55 inches. The Zuljana interactive signage delivers a professional-grade full HD display, enables a thinner and smaller kiosk design for applications even with limited space.



Interactive Digital Signage Features

- ▶ Commercial Digital Signage
- ▶ Quad-Core Rockchip 3288/3399
- ▶ Support Android 8.1/9.0
- ▶ HD Video 1080P
- ▶ Support Vertical and Horizontal Screen
- ▶ Outstanding image quality
- ▶ Easily integrated
- ▶ Desktop or wall mounting



Ordering information

10.1"LCD,350 nits(Optional),800:1,1280×800 pixels,21.69(H)×13.56(V),LED Backlight

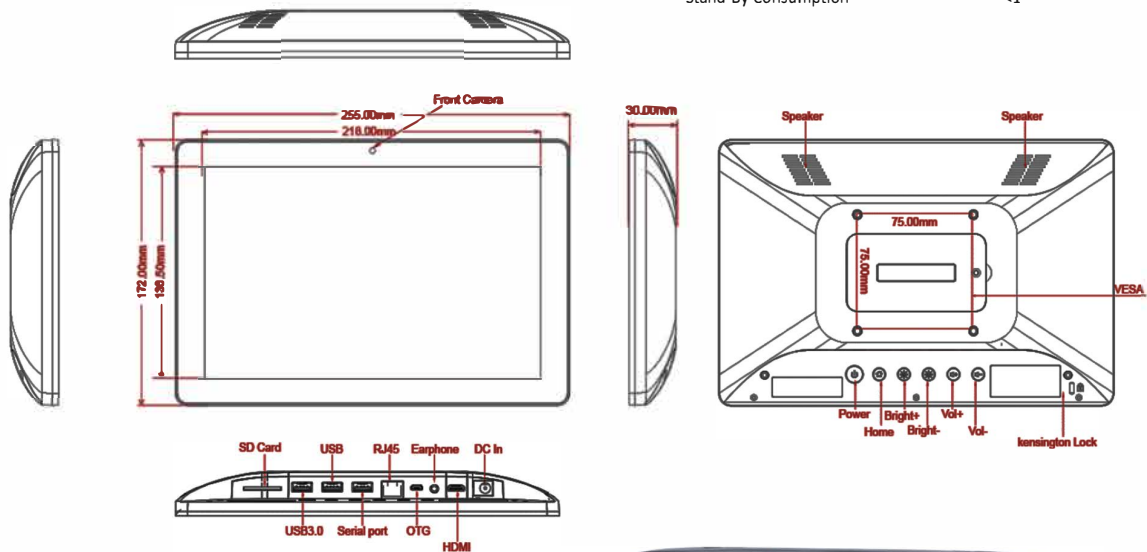
Product Name	10.1" Interactive Digital Signage
Model Number	ZL101PC-A

LCD Panel

Screen Diagonal (Inch/cm)	10.1/25.65
Active Display Area(cm)	21.69(H)×13.56(V)
Aspect Ratio	16:10
Physical Resolution	1280×800
Maximum showable resolution	1920×1080
Colours Displayed	16.7M
Brightness (cd/m ²)	250
Contrast	800:1
Typical Reaction Time Tr/ Tf (ms)	10/15
Visual Angle Horizontal/Vertical (°)	150/145
Backlight/Backlight Lifetime (hours)	LED/20,000

Touch Panel

Touch Technology	Projected Capacitive 10-point Multitouch
Touch Panel Drivers	Windows; Linux; Mac; Android
Touch Life (Contacts)	Unlimited
Surface Hardness	7H
Surface Treatment	Anti-glare (optional)
Glass Strengthening	Tempered glass



Learn more about Zuljana at baobao-industries.com

-  +86 755 23775660
-  +86 755 23779143
-  sales@baobao-industries.com
-  <https://www.baobao-industries.com>



IP Rating

IP65 Front / IP40 Back

Android System

CPU Chipset	Quad-core CortexA17 1.8GHz, RockChipRK3288
System Memory	2 GB
Flash Memory	16 GB
Communication	Ethernet RJ45,Wi-Fi 802.11 b/g/n, Bluetooth 4.0,4G(optional)
Input/Output	DC In,HDMI Output ,3.5mm Audio Jack, Micro USB OTG, USB 2.0 host,RJ45,-POE,SD Card Slot, Microphone
OS	Android 8.1/9.0

Operation/Mechanical

Operating Temperature (°C)	-10~+60
Humidity Range (RH)	10%-90%
Net Weight(Kg)	0.89
Gross Weight(Kg)	2.00(Incl.cartonage)
Housing Material	Plastic Case
Housing(cm)L×W×H	25.50 × 17.80 × 2.90
Mounting	VESA 75

Power

Power Indicator	Green LED
Power Supply	100-240V ACDC Active Switching; 12V DC-Out
Working Power (V)	12
Working Power (V)	8
Stand-By Consumption	<1

