

 **24"**

- Quad-core Cortex-A17 1.8GHz, RockChip RK3288
- 2GB System Memory, 16GB Flash Memory
- Supports Android 8.1/9.0
- Anti-glare surface treatment (chemical etching)
- Outstanding image quality
- Designed for professional use
- Easily Integrated
- Desktop or Wall mounting
- 1 Year Guarantee

Zuljana's digital signage series is the perfect system to deliver communications and use advertising displays within any organisation, giving real time access to content and a more engaging platform for the audience to interact with.

The digital signage is powered by RockChip RK3288, this version is equipped with 2GB System Memory, 16GB Flash Memory, and is a feature-rich digital signage solution that has been adopted by thousands of clients across the globe within industries including banking, finance, legal, enterprise, government, maritime, sports, arena, healthcare and hospitality.



Ordering information	
24"LCD,250 nits(Optional),1000:1,1920×1080 pixels,52.70(H)×29.65(V),LED Backlight	

Product name	24"Capacitive Touch Monitor
Model Number	ZL240PC-A

IP Rating	
IP 65 Front / IP40 Back	

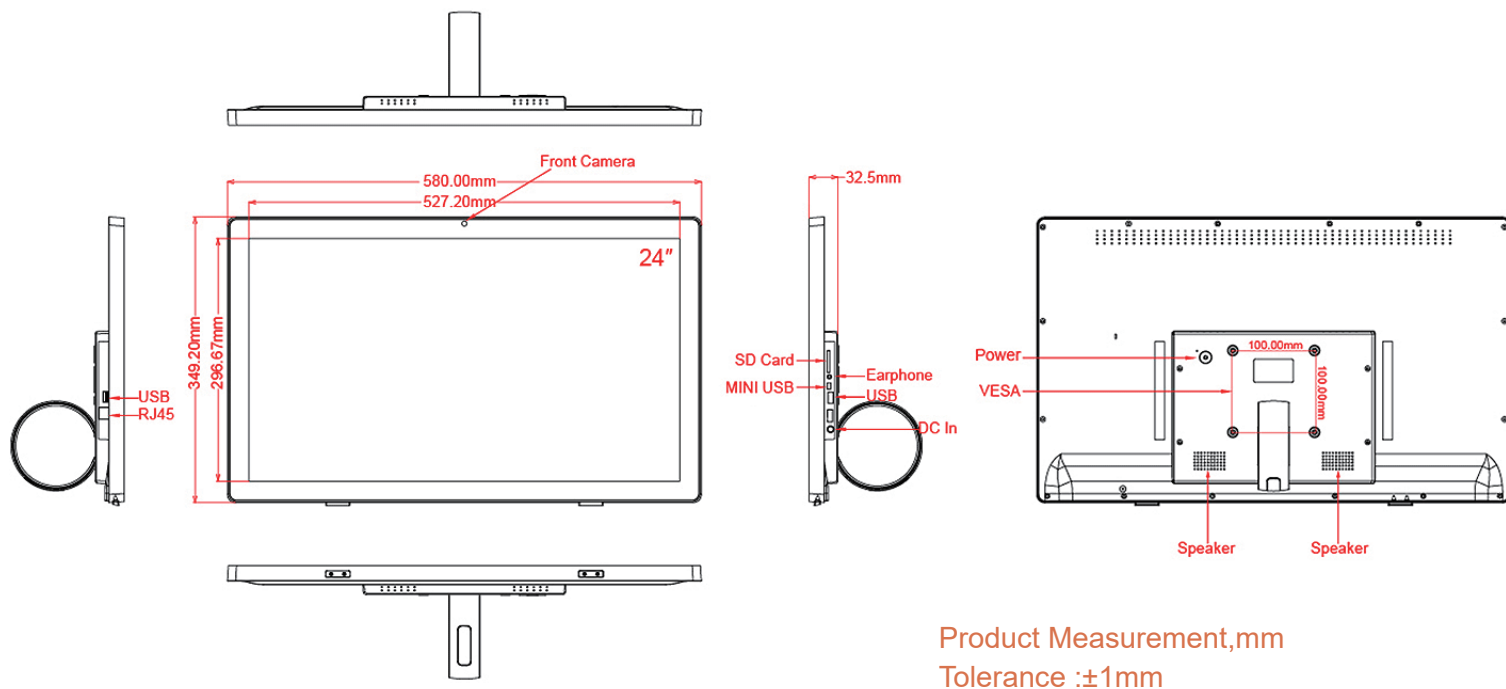
LCD Panel	
Screen Diagonal (Inch/cm)	23.6/59.94
Active Display Area(cm)	52.70(H)×29.65(V)
Aspect Ratio	16:9
Physical Resolution	1920×1080
Maximum showable resolution	1920×1080
Colours Displayed	16.7M
Brightness (cd/m ²)	250
Contrast	1000:1
Typical Reaction Time Tr/ Tf (ms)	1.5/3.5
Visual Angle Horizontal/Vertical (°)	178/178
Backlight/Backlight Lifetime (hours)	LED/20,000

Touch Panel	
Touch Technology	Projected Capacitive 10-point Multitouch
Touch Panel Drivers	Windows; Linux; Mac; Android
Touch Life (Contacts)	Unlimited
Surface Hardness	7H
Surface Treatment	Anti-glare (optional)
Glass Strengthening	Tempered glass

Android System	
CPU Chipset	Quad-core Cortex-A17 1.8GHz,RockChip RK3288
System Memory	2 GB
Flash Memory	16 GB
Communication	Ethernet RJ45,Wi-Fi 802.11 b/g/n.Blue-tooth 4.0,4G(optional)
Input/Output	DC In,HDMI Output ,3.5mm Audio Jack,Mini USB OTG,USB 2.0 host,RJ45,-POE,SD Card Slot,Microphone
OS	Android 8.1/9.0

Operation/Mechanical	
Operating Temperature (°C)	-10~+60
Humidity Range (RH)	10%-90%
Net Weight(Kg)	4.80
Gross Weight(Kg)	7.10(Incl.cartonage)
Housing Material	Plastic Case
Housing(cm)L×W×H	52.70 × 34.92× 32.5
Mounting	VESA 100

Power	
Power Indicator	Green LED
Power Supply	100-240V ACDC Active Switching; 12V DC-Out
Working Power (V)	12
Working Power (V)	22
Stand-By Consumption	<1



Shenzhen BaoBao Industrial Co., Ltd

Tel: +86 0755 23775660

Email: sales@baobao-industries.com

Website: www.baobao-industries.com

Website: www.baobao-industries.com

Address: 2 / F, Building B, Xinzhongtai Science and Technology Park, Guangming New District, Shenzhen