



 **15.6"**

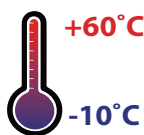
- Intel® Core I3-3217U
- 4GB RAM Memory,64GB Industrial SSD
- Supports Windows 10 & Linux (32Bit,64Bit)
- 10-Finger-Multi Touch Capacitive Touch Panel
- Less Screw design for easy installation
- Integrated W-LAN
- 1 Year Gurantee

Zuljana's Capacitive PC series stands out among competition with fanless silent operation, IP65 front panel design, high reliability and fine craftwork.

It is the perfect choice for industrial and business application. It has flat edge to edge glass with IP65 water and dust proof front panels and a sturdy aluminum case with stable VESA 100 fixation bolts (VESA 400 for 32" and up).

The touch PC is powered by Intel® Core I3-3217U, this version is equipped with 4GByte RAM ,64GB SSD and intel's HD Graphic chipset.

These Zuljana PCs are the perfect choice for a wide variety of application including POS system, control panels in industrial fields, in Kiosk systems , office /residence automation, digital signage and in areas like shopping malls, classrooms, hotels and many more.



Specification

● System

CPU

Intel® Core I3-3217U

Chipset

Intel® NM70 express chipset

Graphics GPU

Intel® HD Graphics 4000

Audio

Realtek ALC662 6 channel high fidelity audio chip

Memory

4GB DDR3L non-ECC

Storage (Switchable)

Zuljana Industrial 64GB SSD

Network

2 x Realtek PCIe GB LAN 8111G; W-LAN

Driver Support

Win7/8/10; Linux; 32Bit/64Bit

Pre-installed OS

Linux Ubuntu

● Power Supply

Power Indicator:Green LED

Power input:100-240V ACDC active switching; 12V DC-Out

Working Power(V):12

Working Power(V):16

Stand-By Consumption:<1

● Environment

Operating:0 C to +40 C ,10% to 90% rel.humidity(non-condensing)

Storage: -10 C to +60 C ,5% to 95% rel.humidity (non-condensing)Ingress

Rating

IP65(Front Panel),IP40(Back)

● Display

LCD Panel

15.6 "(1920×1080); 16:9, 16.7 million colours

● Luminance

300 cd/m²

Contrast

700:1

● Interfaces

I/O

2×USB3.0

4×USB2.0

2×Ethernet 10/100/1000Mbit/s,isolated 2KV

UI

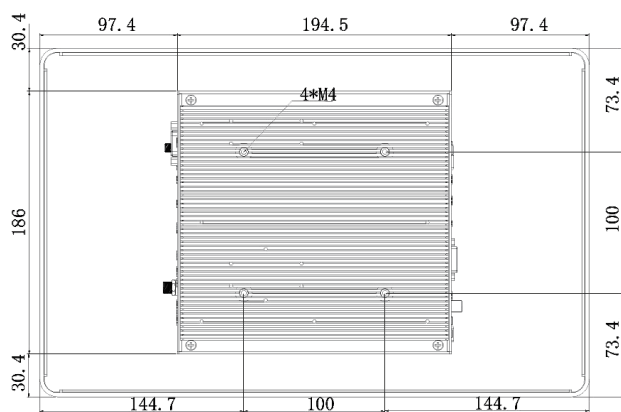
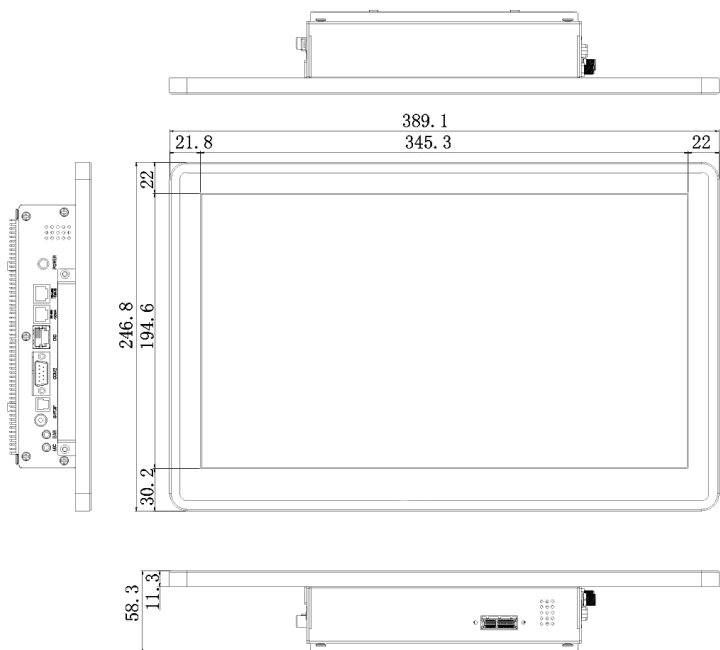
Projected capacitive touch panel with 7H surface hardness

Ordering Information

● ZL156PC-C

15.6" Touch Panel PC with Intel® Core I3-3217U and Ubuntu 18.04 Embedded

Dimensions



Product Measurement : mm
Tolerance : ± 1 mm

Shenzhen BaoBao Industrial Co., Ltd

Tel: +86 0755 23775660

Email: sales@baobao-industries.com

Website: www.baobao-industries.com

Website: www.baobao-industries.com

Address: 2 / F, Building B, Xinzhongtai Science and Technology Park,
Guangming New District, Shenzhen